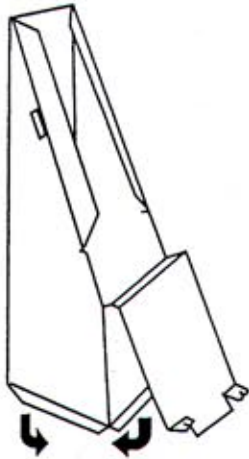
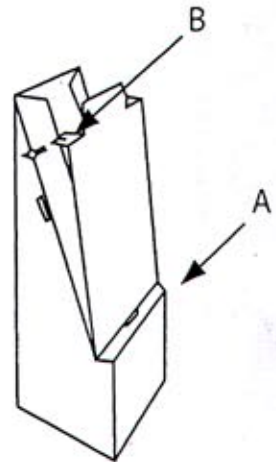


STEP ONE



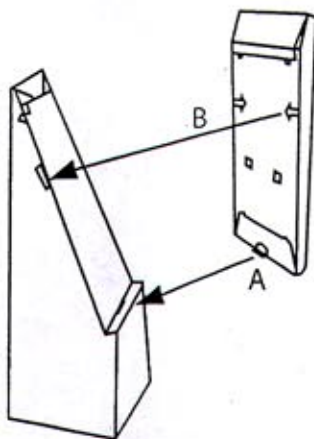
Unfold base to square position and fold all four bottom-flaps under as shown.

STEP TWO



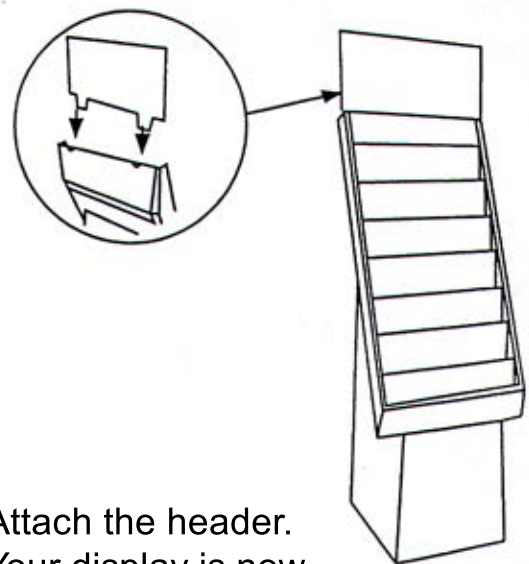
Fold shelf-step section on bas. (A) Insert top flap into slots on back of bas. (B)

STEP THREE



Pull out bottom tab of tray and insert into slot on base. (A) Put out side tabs on tray back and insert into slots on sides of bas.(B)

STEP FOUR



Attach the header. Your display is now complete.